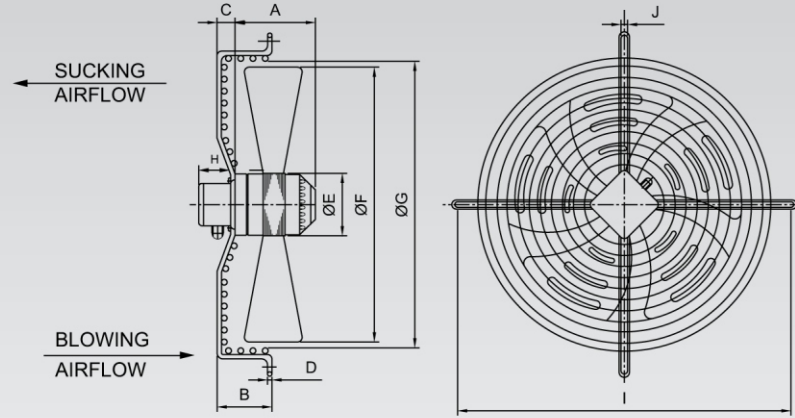


# Axial Fans



**Dimensions (mm)**

Size	A	B	C	D	E	F	G	H	I	J
200	66	45	-	4	92	200	220	60	260	6
250	76	55	-	4	92	250	275	60	320	7
300	86	80	30	4	92	300	320	60	360	7
350	104	80	30	5	102	350	370	60	422	9.5
400	117	90	30	5	102	400	420	60	470	9.5
450	130	90	30	6	102	450	470	60	522	9.5
500	129	90	30	6	137	500	520	60	570	10.5
550	144	100	30	6	137	550	570	60	622	10.5
600	164	100	30	7.5	137	600	620	60	679	10.5
630	164	100	30	7.5	137	630	650	60	750	10.5

**Specifications**

Model	Size in inch	Poles	Phase	Voltage (VAC)	Current (A)	Power (W)	Speed (RPM)	Airflow (M <sup>3</sup> /hr)	Noise dBA	wt Kg
2E-200	8	2	Single	230	0.26	55	2300	890	50	2.5
4E-200	8	4	Single	230	0.21	40	1400	530	45	3.0
2E-250	10	2	Single	230	0.40	80	2400	1385	65	3.0
4E-250	10	4	Single	230	0.23	50	1380	810	55	3.0
2E-300	12	2	Single	230	0.66	145	2300	2295	70	3.3
4E-300	12	4	Single	230	0.42	85	1350	1810	58	3.3
4D-300	12	4	Three	415	0.22	75	1380	1755	58	3.3
4E-350	14	4	Single	230	0.65	140	1380	2580	62	4.9
4D-350	14	4	Three	415	0.38	140	1380	3130	62	4.9
4E-400	16	4	Single	230	0.82	180	1380	4020	68	5.6
4D-400	16	4	Three	415	0.47	180	1380	4060	68	5.6
4E-450	18	4	Single	230	1.20	250	1350	5080	68	7.2
4D-450	18	4	Three	415	0.60	250	1360	5215	68	7.2
4D-500	20	4	Three	415	0.90	450	1300	7110	72	9.5
4D-550	22	4	Three	415	1.20	600	1300	9280	75	10.5
4D-600	24	4	Three	415	1.60	780	1350	11990	78	14.0
6D-600	24	6	Three	415	1.50	500	900	8870	72	14.0
4D-630	25	4	Three	415	1.60	800	1320	13420	78	15.0
6D-630	25	6	Three	415	1.60	550	900	9670	75	15.0

Frequency (Hz) - 50  
 E-Single Phase D- Three Phase  
 All models available in Suction (S) and Blow (B)